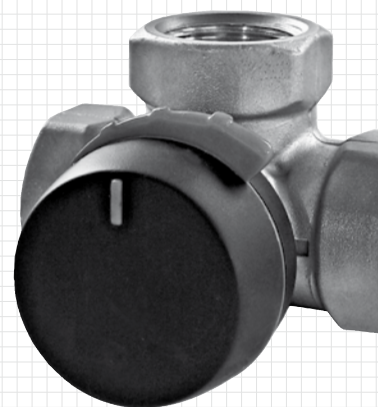




www.esbe.se

Mtrl.nr. 98 14 02 69 • Ritn.nr. 7045 utg PA1 • Rev. 0705



**SERIES VRG130**

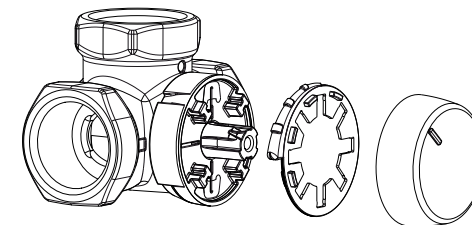
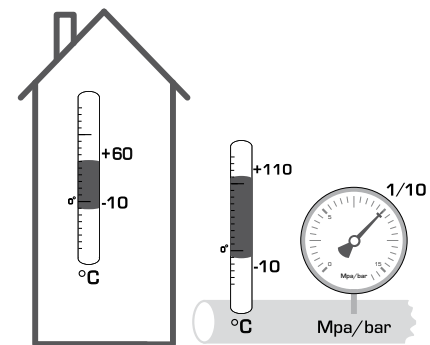


**NO.1 IN HYDRONIC SYSTEM CONTROL**

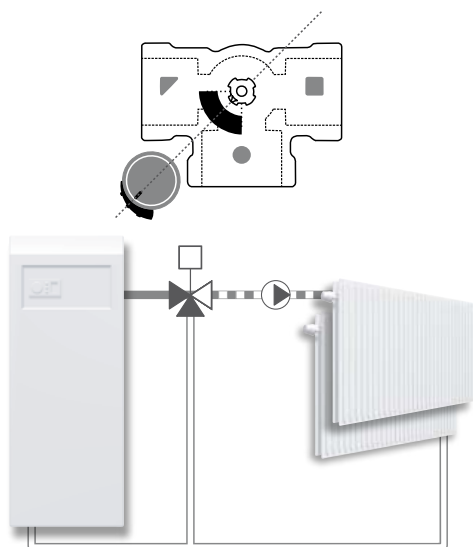


Series VRG131  
Series VRG132  
Series VRG133

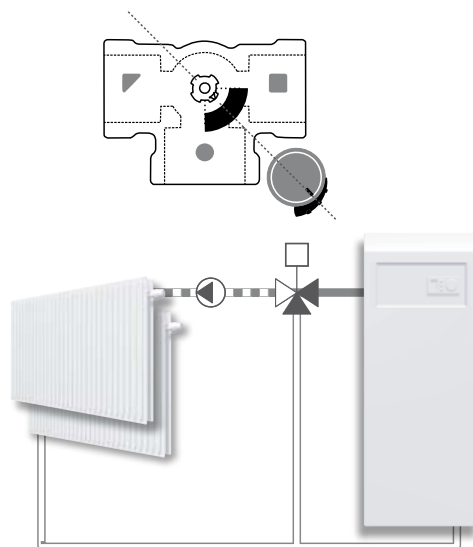
CE  
Pressure Equipment Directive 97/23/EC



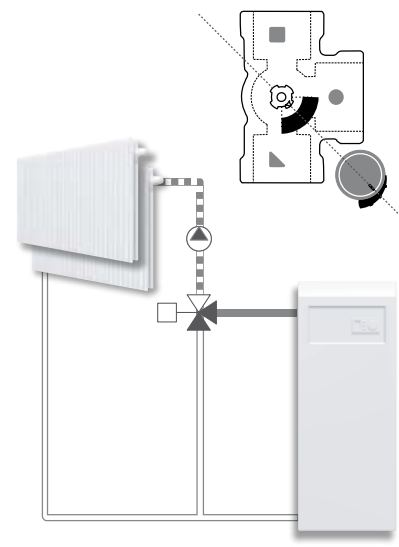
**1a**



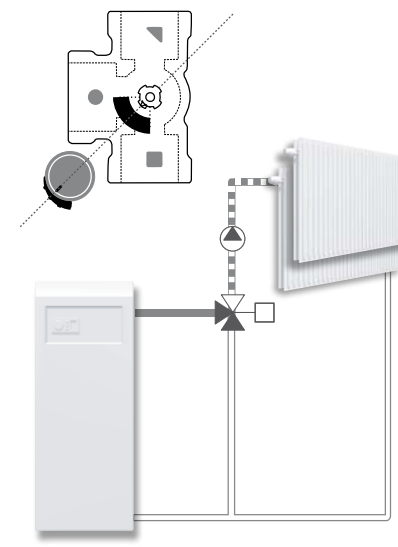
**1b**



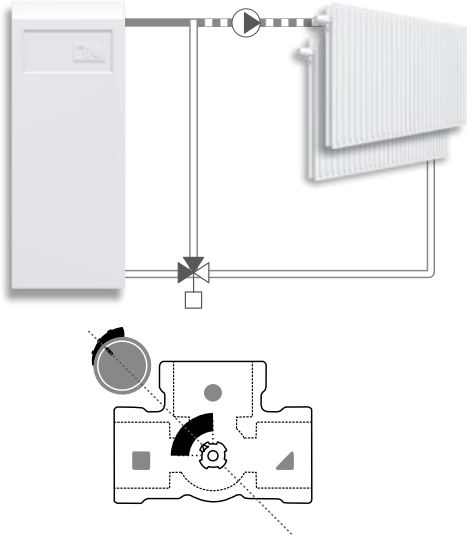
**2a**



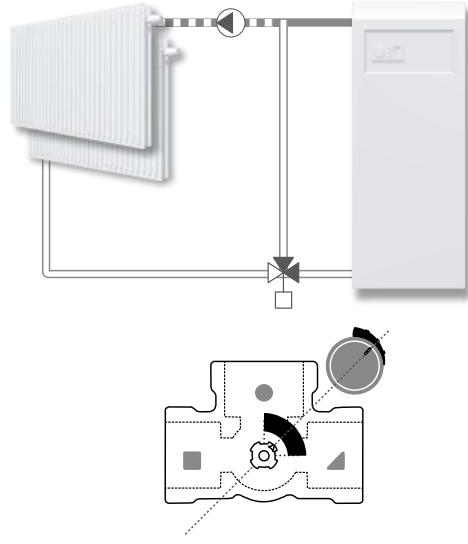
**2b**



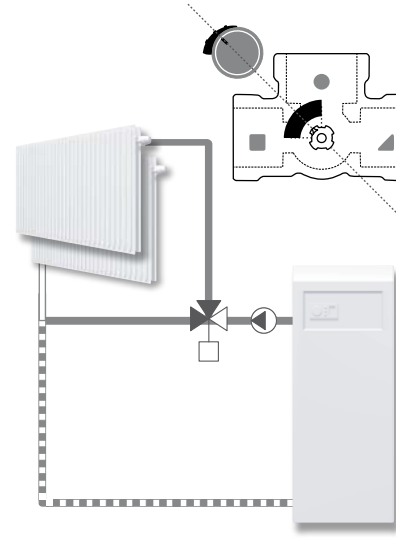
3a



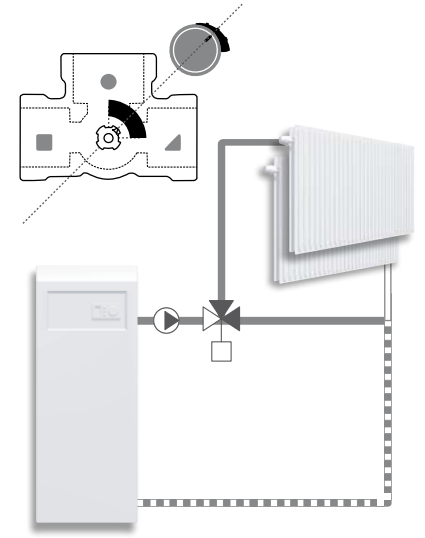
3b



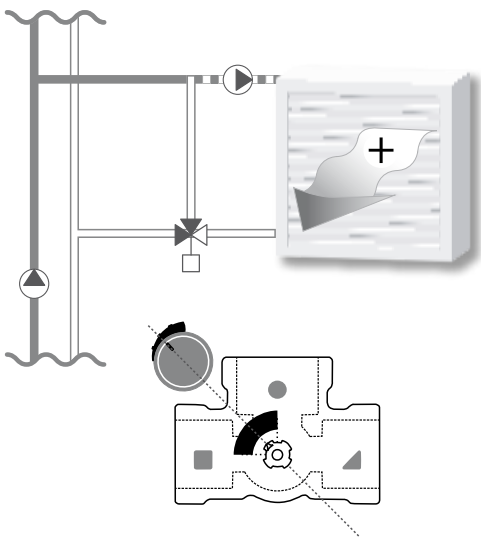
4a



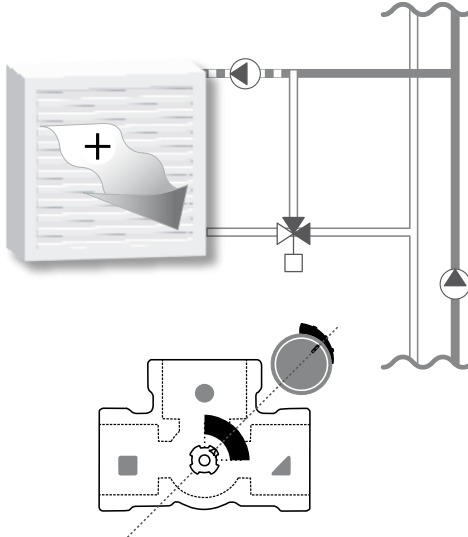
4b



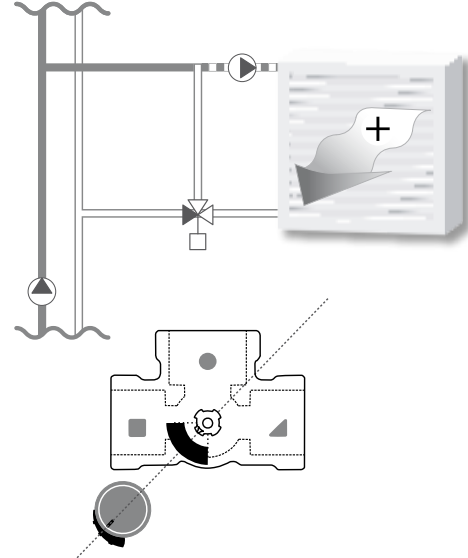
5a



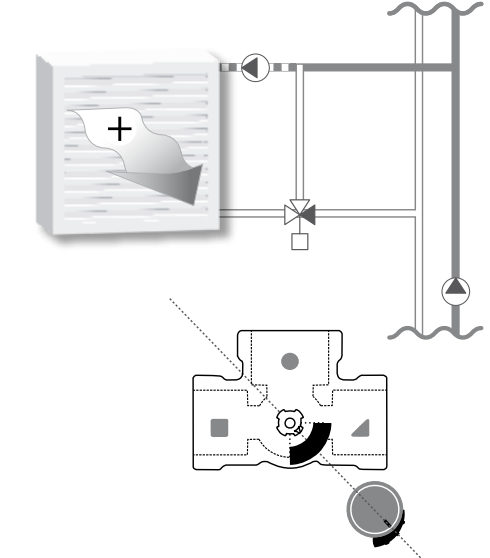
5b



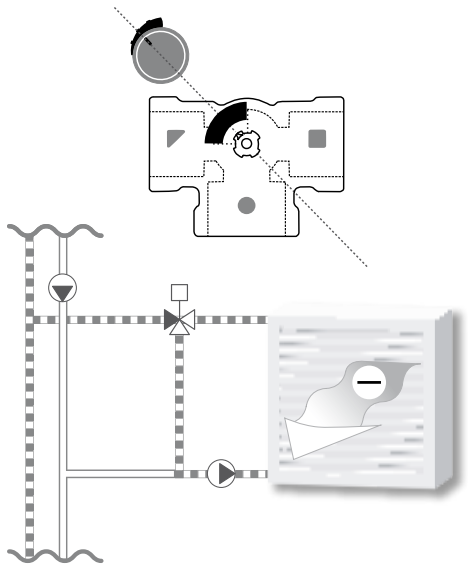
6a



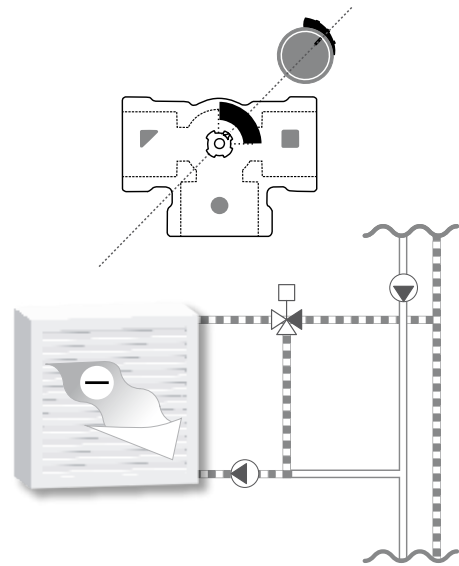
6b



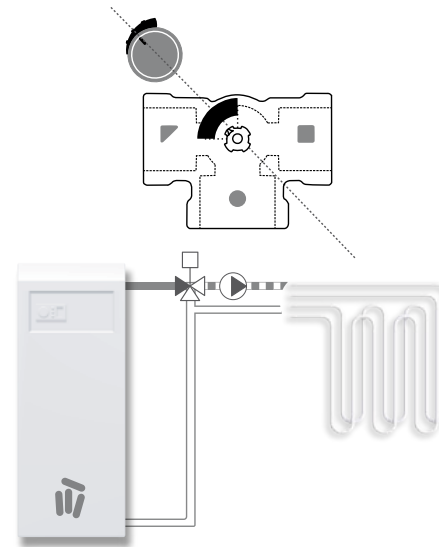
7a



7b



8a



8b

